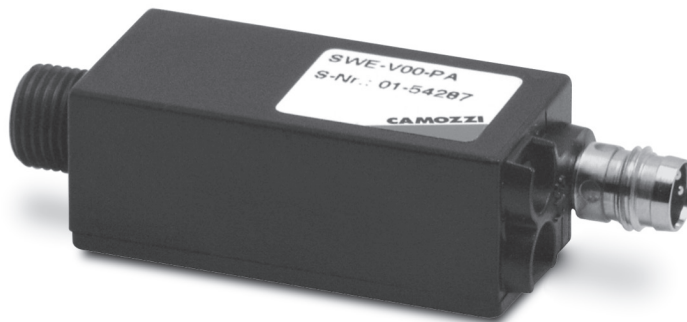


# Series SWE electronic vacuum/pressure switches

Running out of stock 

These vacuum sensors are available with analog and digital output.



- » Electronically precise measuring
- » Switching point and adjustable hysteresis
- » Analog and digital output

2

CONTROL

#### Applications:

**universal electronic vacuum/pressure switch for safety monitoring, optimization of the cycle time or energy saving devices.**

**Thanks to the switching point and the adjustable hysteresis, this electronic vacuum/pressure switch is able to satisfy the user's needs.**

**Analog and digital output: adjustable vacuum limit value and continuous vacuum monitoring.**

#### Electric connection:

- This device functions correctly with a connector Mod. CS-DF04EG-E500 or CS-DR04EG- E500 which should be ordered separately.

## GENERAL DATA

<b>Type of vacuum/pressure switch</b>	electronic with polycarbonate housing
<b>Connection</b>	with G1/8 male thread and M5 female thread
<b>Switching point and hysteresis</b>	adjustable through regulation screws
<b>LED</b>	integrated for visual indication of the switch state
<b>Electric connection</b>	supply voltage via 4-pin M8 connector

**CODING EXAMPLE**

<b>SW</b>	<b>E</b>	<b>-</b>	<b>V00</b>	<b>-</b>	<b>P</b>	<b>A</b>
-----------	----------	----------	------------	----------	----------	----------

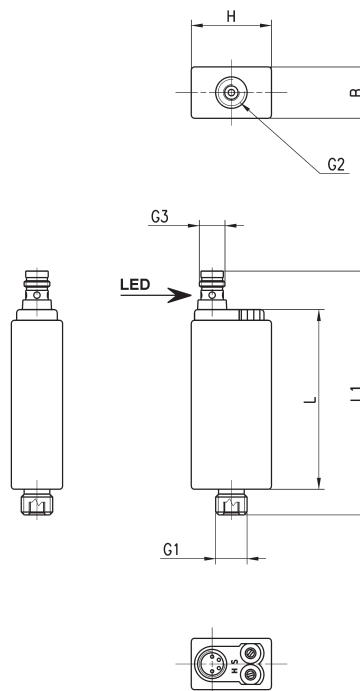
<b>SW</b>	SERIES SW = transducer
<b>E</b>	VERSION E = ELECTRONIC
<b>V00</b>	MEASUREMENT RANGE V00 = from -1 to 0 bar U10 = from -1 to 10 bar (for version E only)
<b>P</b>	POLARITY P = PNP
<b>A</b>	PNEUMATIC CONNECTION A = external G1/8 male thread and internal M5 female thread

2

CONTROL

**Vacuum / Pressure switch Series SWE**

Delivered complete with screwdriver and accessories (screw, seals and tube adaptor) needed for IP65 class.



DIMENSIONS							
Mod.	B	G1	G2	G3	H	L	L1
<b>SWE-V00-PA</b>	15,7	G1/8	M5	M8	19,7	44	62
<b>SWE-U10-PA</b>	15,7	G1/8	M5	M8	19,7	44	62

TECHNICAL DATA

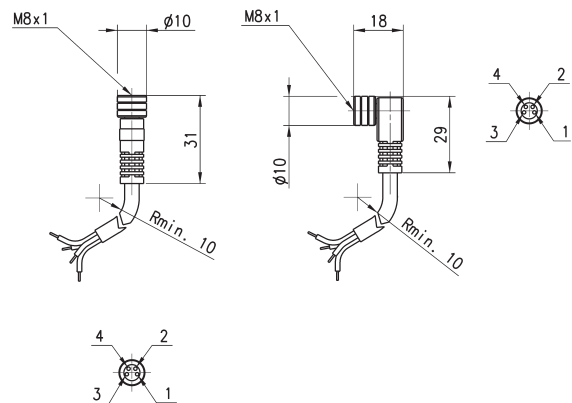
2

CONTROL

Mod.	SWE-V00 PA	SWE-U10-PA
Fluid	Non-aggressive gas, dry air, without lubrication	Non-aggressive gas, dry air, without lubrication
Measurement range	-1 + 0 bar	-1 + 10 bar
Max overpressure [bar]	5	16
Repetition Precision	± 1% measurement range	± 1% measurement range
Hysteresis	Settable: from 3 to 25 % set value.	Settable: from 3 to 25 % set value.
Output signal	1 Analogic(1...5 V) and 1 digital settable.	1 Analogic (1...5 V) ed 1 digital settable.
Max output current [mA]	125	125
Switching time [ms]	5	5
Signalling	LED	LED
Electric connection	Connector M8 4 pins	Connector M8 4 pins
Pneumatic connection	G1/8 male and M5 female	G1/8 male and M5 female
Voltage	10.8 - 30 V - DC	10.8 - 30 V - DC
Input current [mA]	30	30
IP Protection	IP 40/65 (with flexible cable)	IP 40/65 (with flexible cable)
Temperature effect	± 3% measurement range	± 3% measurement range
Operating temperature	0°C + 50°C	0°C + 50°C
Weight [g]	30	30

Circular M8 4-pole connectors, Female

With PU sheathing, non shielded cable.  
Protection class: IP65



Mod.	Type of connector	Cable length (m)
CS-DF04EG-E200	straight	2
CS-DF04EG-E500	straight	5
CS-DR04EG-E200	right angle (90 degrees)	2
CS-DR04EG-E500	right angle (90 degrees)	5