

# Take-off blocks Series MX

New

3

Ports G1  
Modular



- » Compact design
- » Available with or without VNR (no return valve)
- » Pressure switches available on request

The Series MX has been realized to offer a multi-sector solution that guarantees saving in terms of installation time, space and costs. A special configurator, available on Camozzi website at <http://catalogue.camozzi.com> (sec. Configurators), allows the customer to choose the most suitable solution for his application, selecting single components or by configuring assembled FRLs.

The Take-off blocks, when equipped with a no return valve, can be used to bleed non lubricated air.

## GENERAL DATA

<b>Construction</b>	modular, compact, diaphragm-type
<b>Materials</b>	see TABLE OF MATERIALS (pag. 3/0.45.02)
<b>Ports</b>	G1
<b>Weight</b>	0,55 kg
<b>Take-off ports</b>	G1
<b>Mounting</b>	in-line wall-mounting (by means of clamps)
<b>Operating temperature</b>	-5°C ÷ 50°C up to 16 bar (with the dew point of the fluid lower than 2°C at the min. working temperature) 50°C ÷ 60°C up to 10 bar (with the dew point of the fluid lower than 2°C at the min. working temperature)
<b>Operating pressure</b>	0 ÷ 16 bar
<b>Nominal flow at 6 bar with <math>\Delta p = 1</math> bar</b>	MX3-1-B00 = 14500 NI/m MX3-1-B01 = 10500 NI/m
<b>Fluid</b>	compressed air

**CODING EXAMPLE**

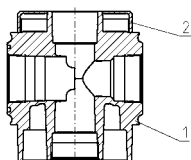
<b>MX</b>	<b>3</b>	<b>-</b>	<b>1</b>	<b>-</b>	<b>B</b>	<b>00</b>
-----------	----------	----------	----------	----------	----------	-----------

<b>MX</b>	SERIES
<b>3</b>	SIZE: 3 = G3/4 - G1
<b>1</b>	PORT: 1 = G1
<b>B</b>	TAKE-OFF BLOCK
<b>00</b>	DESIGN TYPE: 00 = without no return valve (standard) 01 = with no return valve

For the assembly of a single component with fixing flanges or wall-mounting, see the section "FRL Series MX Assembled" (pag. 3/0.50.01)

**Take-off blocks Series MX - materials**

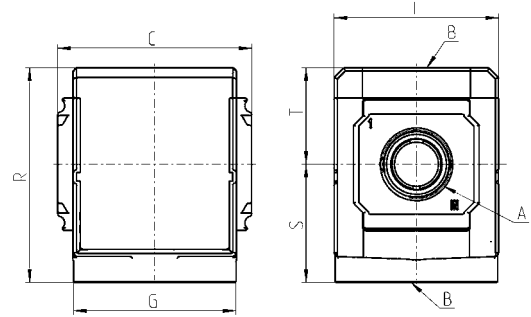
**New**



PARTS	MATERIALS
<b>1 = Body</b>	Aluminium
<b>2 = Covering</b>	Polyacetal
<b>Seals</b>	NBR

Take-off blocks Series MX - dimensions

New



Mod.	A	B	C	G	I	R	S	T
<b>MX3-1-B00</b>	G1	G1	89,5	75	76	99	54,5	44,5